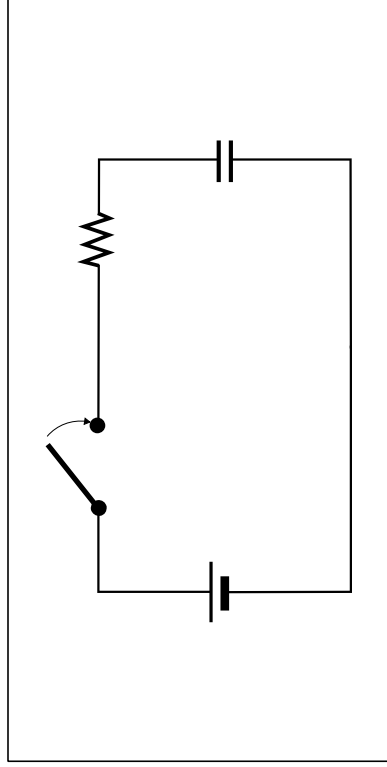


Review - Circuits

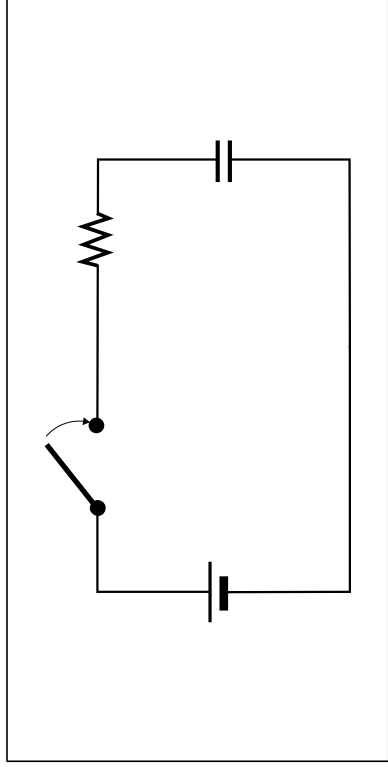
- For **each** circuit:



Review - Circuits

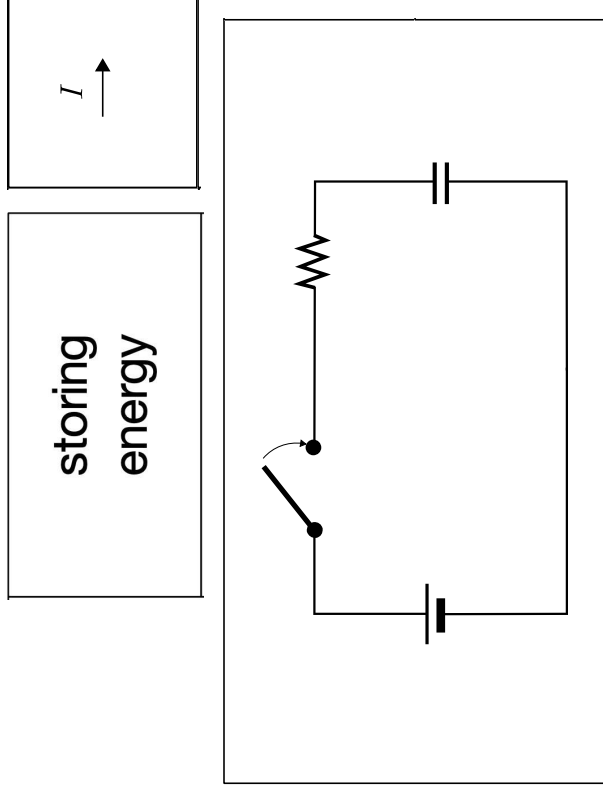
- For **each** circuit:
- Choose the appropriate description.

storing
energy



Review - Circuits

- For **each** circuit:
 - Choose the appropriate description.
 - Show the direction of the current in the resistor.



Review - Circuits

- From your additional cards:
- Choose the appropriate cards for **each** circuit.
- Choose the appropriate labels for the graphs (e.g. for resistor).

storing energy	$I \rightarrow$	capacitor
